



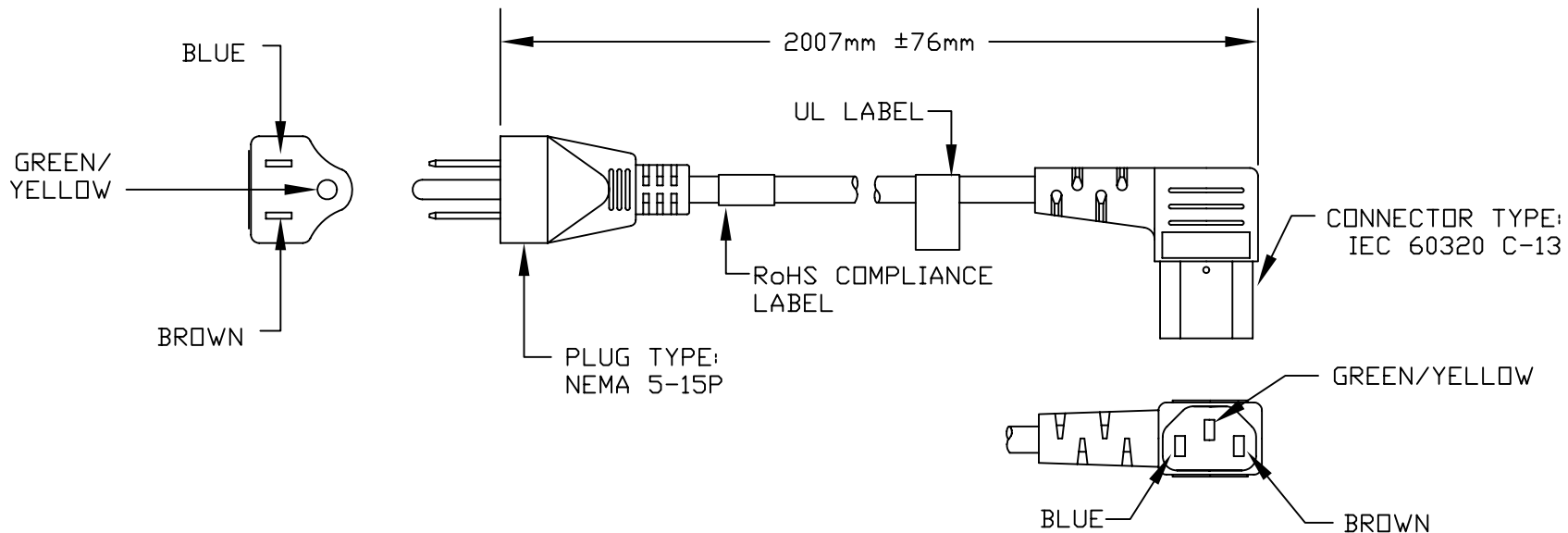
VOLEX

GROUP

Standard Cord Details: 17608 10 B1

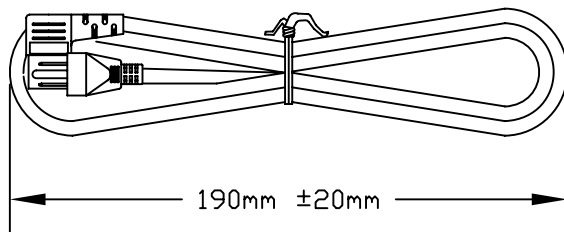


Specifications	
Certifications	
Part Number	17608 10 B1
Connector Type	C13
Plug Type	5-15P
Category	Plastic
Application	Detachable
Plug Catalog No.	PS204
Connector Catalog No.	V1625A
Cable	SJT AWG 16x3 (Shielded)
Jacket Color	black
Length in Feet	6'7"
Length in Meters	2
Temperature Rating	60 C
Packaging Units Per Carton	H-100,H-25
Color Coding	International
Nominal OD in Inches	0.353
Nominal OD in Millimeters	8.97



VOLEX RESERVES THE RIGHT TO ALTER NON-CRITICAL DIMENSIONS WITHOUT NOTICE.

PACKAGING: FOLD & TIE



NOTES

- 1) CORDAGE: CORDAGE: 16/3 SJT, FOIL SHIELDED WITH DRAIN WIRE, 60°C, BLACK
- 2) APPROVALS:
- 3) RATING: 13 AMP/125 VOLTS
- 4) DRAIN WIRE CONNECTED TO GROUND PIN OF PLUG MOLD ONLY. DRAIN WIRE IS CUT FLUSH WITH JACKET EDGE PRIOR TO MOLDING CONNECTOR.
- 5) ALL DIMENSIONS IN MILLIMETERS.
- 7) PACKAGING: 60 PIECES/CARTON.

1	C.U.D - NEW RELEASE	9/24/07
REV	DESCRIPTION	DATE



FORM IN71-07 REV.A

- Indianapolis, IN
- Conover, N.C.
- Fremont, CA
- Aguascalientes, MX
- Tijuana, Mexico
- Hermosillo, MX
- Clinton, AR
- Kanata, Canada

Proprietary Notice:

This document is the property of Volex Incorporated. The information contained herein is not to be disclosed to anyone without the express written consent of Volex Inc.

MATERIAL:
 PLUG: PVC, BLACK
 JACKET: PVC, BLACK
 RoHS/Prop 65 Compliant

FINISH:
 JACKET: SMOOTH

SCALE:
 NOT TO SCALE

ECD:
 N/A

ITEM DESCRIPTION
 SHIELDED CORDSET-NORTH AMERICAN
 DETACHABLE POWER SUPPLY CORD (6'7")

TOLERANCE UNLESS OTHERWISE SPECIFIED
 .XXX ± .005
 .XX ± .02
 .X ± .03
 FRACT. ± 1/32
 ANGULAR ± 1/2°

APPROVED STC
DRAWN BY STC
DATE: 9/24/07

PART NO. 17608 10 B1